

\*See project information  
for pole details

## Luminaire Data

Manufacturer .....	Cree, Inc.
Material and finish .....	Die-cast aluminum with bronze powder-coat finish <sup>1</sup>
Mounting.....	Adjustable arm on 2.38 in (60 mm) O.D. tenon
Weight (luminaire) .....	26.5 lb (12 kg)

## Regulatory and Voluntary Qualifications

UL .....	cULus Listed
Environment.....	Suitable for wet locations
Ingress Protection.....	IP66
Emissions.....	Meets FCC Part 15, Subpart B, Class A standards for conducted and radiated emissions
RoHS .....	Compliant

## Photometric Characteristics

Lumen maintenance factor <sup>2</sup>	
25k hours <sup>3</sup> .....	0.95
50k hours <sup>3</sup> .....	0.90
75k hours <sup>3</sup> .....	0.85
100k hours <sup>4</sup> .....	0.81
CIE correlated color temperature .....	5700 K
Color Rendering Index (CRI), minimum .....	70
Lumens.....	17,000

### Footnotes:

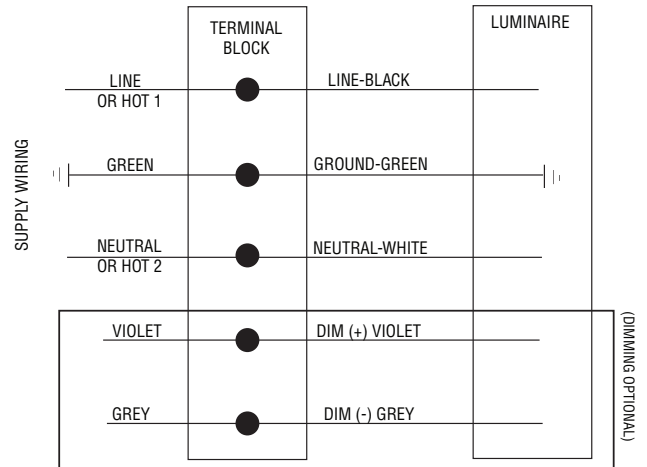
- 1) Cree's exclusive Colorfast DeltaGuard® finish features an E-coat epoxy primer with an ultra-durable powder topcoat, providing excellent resistance to corrosion, ultraviolet degradation, and abrasion.
- 2) Lumen maintenance values at 25°C ambient temperature are calculated per TM-21 based on LM-80 data and in-situ luminaire testing.
- 3) Values are represented as projected values within six times limit of tested hours per IES TM-21-11.
- 4) Values are represented as calculated values due to exceeding six times limit of tested hours.

# Datasheet: OSQ Area Luminaire on Valmont Soft Square Pole

## Electrical Data

Rated wattage per luminaire <sup>1</sup> .....	130 W
Input voltage .....	120–277 V or 347–480 V, 50/60 Hz
Driver configuration .....	Integral
Driver Efficiency .....	>90%
Starting (inrush) current .....	73 A, 120 μs
Power factor .....	>0.9
Total Harmonic Distortion .....	<20%
Operating temperature range ...	-40°C – +35°C (-40°F – +95°F)
Dimming mode <sup>2</sup> .....	0 – 10 V dimming to 10%

## Typical Wiring



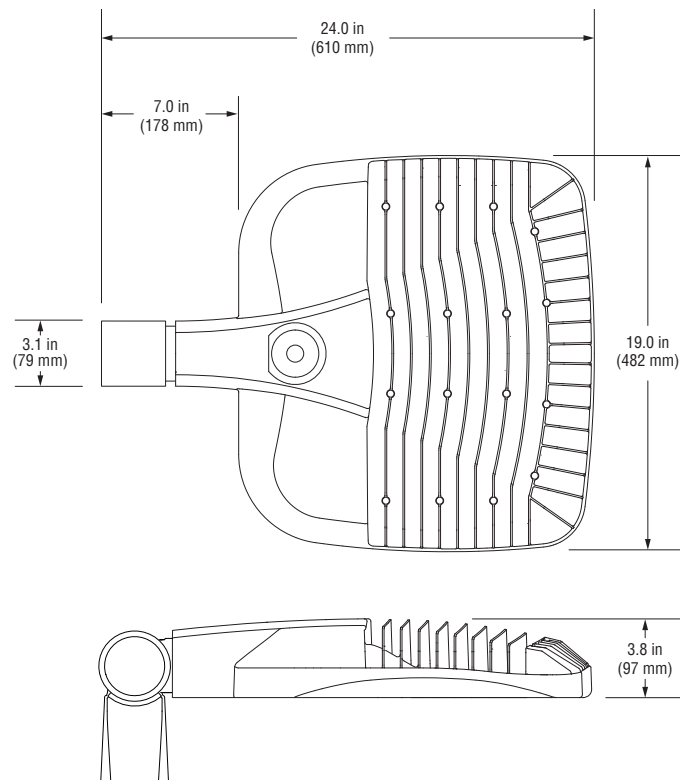
	120 Vac	208 Vac	240 Vac	277 Vac	347 Vac	480 Vac
<b>Max operating current<sup>3</sup></b>	1.09 A	0.65 A	0.56 A	0.49 A	0.38 A	0.28 A

### Footnotes:

- 1) Rated wattage is the power consumption, including driver efficiency losses, at stabilized operation in 25°C ambient temperature environment.
- 2) Dimming controls not provided by Musco. Driver provides 10 V source current at 0.15 mA, compliant with IEC 60929 Annex E dimming standard.
- 3) Operating current based on 25°C.

### Notes

1. Use thermal magnetic HID-rated or D-curve circuit breakers.



### Poletop mounting options:

